

4K (3,840 x 2,160) iA H.265 Network Camera

Panasonic WV-S2270L captures the highest quality 4K resolution images in even very challenging and dynamic environments. Intelligent Auto (iA) monitors scene dynamics and motion to adjust key camera settings automatically in real-time reducing distortion such as motion blur on moving objects. Adopting H.265 Smart Coding technology, bandwidth efficiency is intelligently increased for longer recording and less storage. Cameras out-of-the-box, use an encryption module standardized by FIPS Publication 140-2 for secure video streaming.

Extreme image quality allows evidence to be captured even under challenging conditions

- True 4K lens and large image sensor realize wide area surveillance with high quality images
- Auto Shutter speed control for moving objects
- Outstanding low light performance in true color with low noise for night time applications
- Built-in IR LED to produce a clear monochrome image in 0 lux conditions with 30 m (98 feet) irradiation distance
- Environmental durability : IK10

Extreme bandwidth compression with new Panasonic H.265 Smart Coding

- Longer recording and less storage compared to any H.264 based compression techniques
- New self-learning ROI* encoding (Auto VIQS) detects movement within the image and compresses the areas with little motion in order to reduce transmitted data while maintaining the quality of the image.

*Region of Interest

Extreme Data Security

- Full encryption SD card edge recording to keep your data safe
- FIPS140-2 CAVP compliant *Using encryption module standardized by FIPS publication 140-2
- Full end-to-end system encryption with supported VMS and devices to protect from IP snooping/spoofing and detect data alteration

Key Features

- 4K (3,840 x 2,160) up to 30fps
- iA (intelligent Auto)
- Color night vision (0.006 to 0.09 lx)
- H.265 Smart Coding
- i-VMD License Bundled

Industry examples

- Airport (Passport control / Security checkpoint / Ticket counter)
- Retail / Bank / Education / Hospital / Building



Specifications

Camera	Image Sensor	1/1.8 type CMOS image sensor
	Minimum Illumination	Color : 0.09 lx, BW : 0.05 lx (F1.5, Maximum shutter : Off (1/30s), AGC : 11) BW : 0 lx (F1.5, Maximum shutter : Off (1/30 s), AGC : 11, when the IR LED is lit) Color : 0.006 lx, BW : 0.003 lx (F1.5, Maximum shutter : max. 16/30s, AGC : 11) *1
	White Balance	ATW1, ATW2, AWC
	Shutter Speed	1/30 Fix to 1/10000 Fix
	Intelligent Auto	On / Off
	Super Dynamic	On / Off, the level can be set in the range of 0 to 31.
	Dynamic Range	Max 120 dB (Super Dynamic : On, Level : 31)
	Adaptive Black Stretch	The level can be set in the range of 0 to 255.
	Back light compensation / High light compensation	BLC (Back light compensation) / HLC (High light compensation) / Off The level can be set in the range of 0 to 31. (only when Super dynamic / Intelligent Auto : Off)
	Fog compensation	On / Off, The level can be set in the range of 0 to 8 (only when Intelligent auto / auto contrast adjust : Off)
	Maximum gain	The level can be set in the range of 0 to 11.
	Color/BW (ICR)	Off / On (IR Light Off) / On (IR Light On) / Auto1 (IR Light Off) / Auto2 (IR Light On) / Auto3 (SCC)
	IR LED Light	High / Middle / Low / Off, Maximum irradiation distance : 30 m (Approx. 98 ft)
	Digital Noise Reduction	The level can be set in the range of 0 to 255.
	Video Motion Detection (VMD)	On / Off, 4 areas available
	Intelligent VMD (i-VMD)	Type6 *Bundled License
	Privacy Zone	On / Off (up to 8 zones available)
Image rotation ² *3	0 ° (Off) / 90 ° / 180 ° (Upside-down) / 270 °	
Camera Title (OSD)	On / Off Up to 20 characters (alphanumeric characters, marks)	
Lens	Zoom Ratio	2x Optical zoom (Motorized zoom / Motorized focus) 6x HD Extra Optical Zoom (when resolution is 1280x720)
	Digital (electronic) zoom	Choose from 3 levels of x1, x2, x4
	Focal length	4.3 mm - 8.6 mm (5/32 inches - 11/32 inches)
	Maximum Aperture Ratio	1 : 1.5 (WIDE) - 1 : 2.4 (TELE)
	Focus range	1 m (39.3/8 inches) - ∞
Angular Field of View	[16 : 9 mode] Horizontal : 52° (TELE) - 101° (WIDE) Vertical : 29° (TELE) - 55° (WIDE)	
Adjusting Angle	Horizontal (PAN) angle	: -240 to +120°, Vertical (TILT) angle : -30 to +85°, Azimuth (YAW) angle : ±100°
	Vertical (TILT) angle	: -30 to +85°, Azimuth (YAW) angle : ±100°
Browser GUI	Camera Control	Brightness, AUX On / Off
	Audio	Mic (Line) Input : On / Off Volume adjustment : Low / Middle / High Audio Output : On / Off Volume adjustment : Low / Middle / High
	GUI / Setup Menu Language	English, Italian, French, German, Spanish, Portuguese, Russian, Chinese, Japanese
Network	Network IF	10Base-T / 100Base-TX, RJ45 connector
	Resolution ⁴	[16 : 9 mode]
	H.265/ H.264/ JPEG (MJPEG)	3840x2160, 2560x1440, 1920x1080, 1280x720, 640x360, 320x180
	H.265/ Transmission Mode	Constant bit rate / VBR / Frame rate / Best effort
	H.264 ⁵ / Transmission Type	Unicast / Multicast
	JPEG Image Quality	10 steps
Smart Coding	GOP (Group of pictures) control : On (Frame rate control) / On (Advanced) / On (Mid) / On (Low) / Off *On (Frame rate control) and On (Advanced) are only available with H.265. Auto IQoS : On / Off	

Network	Audio Compression	G.726 (ADPCM) : 16 kbps / 32 kbps G.711 : 64 kbps AAC-LC ⁶ : 64 kbps / 96 kbps / 128 kbps
	Audio transmission mode	Off / Mic (Line) input / Audio output / Interactive (Half duplex) / Interactive (Full duplex)
	Supported Protocol	IPv6 : TCP/IP, UDP/IP, HTTP, HTTPS, RTP, FTP, SMTP, DNS, NTP, SNMP, DHCPv6, MLD, ICMP, ARP, IEEE 802.1X, DiffServ IPv4 : TCP/IP, UDP/IP, HTTP, HTTPS, RTSP, RTP, RTP/RTCP, FTP, SMTP, DHCP, DNS, DDNS, NTP, SNMP, UPnP, IGMP, ICMP, ARP, IEEE 802.1X, DiffServ
	No. of Simultaneous Users	Up to 14 users (Depends on network conditions)
Alarm	SDXC/SDHC/SD Memory Card	H.265 / H.264 recording : Manual REC / Alarm REC (Pre/Post) / Schedule REC / Backup upon network failure JPEG recording : Manual REC / Alarm REC (Pre/Post) / Backup upon network failure Compatible SDXC/SDHC/SD Memory Card: Panasonic 2 GB, 4 GB*, 8 GB*, 16 GB*, 32 GB*, 64 GB**, 128 GB**, 256 GB** model *SDHC card, **SDXC card (except miniSD card and microSD card)
	Mobile Terminal Compatibility	iPad, iPhone, Android™ mobile terminals
Alarm	Alarm Source	3 terminals input, VMD alarm, Command alarm
	Alarm Actions	SDXC/SDHC/SD memory recording, E-mail notification, HTTP alarm notification, Indication on browser, FTP image transfer, Panasonic alarm protocol output
Input/ Output	Monitor Output (for adjustment)	VBS : 1.0 V [p-p] / 75 Ω, composite, ø3.5 mm mini jack An NTSC or PAL signal can be outputted from camera
	Audio input	ø3.5 mm stereo mini jack For microphone input : Recommended applicable microphone : Plug-in power type (Sensitivity of microphone : -48 dB±3 dB (0 dB=1 V/Pa, 1 kHz)) Input impedance : Approx. 2 kΩ (unbalanced) Supply voltage : 2.5 V ±0.5 V
	For line input :	Input level : Approx. -10 dBV
Input/ Output	Audio Output ⁷	ø3.5 mm stereo mini jack (Audio output is monaural) Output impedance : Approx. 600 Ω (unbalanced) Output level : -20 dBV
	External I/O Terminals	ALARM IN 1 (Alarm input 1/ Black & white input/ Auto time adjustment input) (x1) ALARM IN 2 (Alarm input 2/ ALARM OUT) (x1) , ALARM IN 3 (Alarm input 3/ AUX OUT) (x1)
General	Safety	UL (UL60950-1), c-UL (CSA C22.2 No.60950-1), CE, IEC60950-1
	EMC	FCC (Part15 ClassA), ICES003 ClassA, EN55032 ClassB, EN55024
	Power Source and Power Consumption	DC power supply : DC12 V 770 mA/ Approx. 9.2 W PoE (IEEE802.3af compliant) Device : DC48 V 200 mA/ Approx. 9.6 W (Class 0 device)
	Ambient Operating Temperature	-10 °C to +50 °C (14 °F to 122 °F)
	Ambient Operating Humidity	10 to 90 % (no condensation)
	Shock Resistance	IK10 (IEC 62262)
	Dimensions	ø129.5 mm x 102.5 mm (H) (ø5-3/32 inches x 4-1/32 inches (H)) Dome radius 41.5 mm (1-5/8 inches)
	Mass	Approx. 780 g (1.72 lbs)
	Finish	Main body : Polycarbonate resin Sail white Dome cover : Polycarbonate resin Clear

*1 Converted value

*2 90° and 270° are valid only in the 15 fps.

*3 Following the setting angle of the rotated image, the analog output of the MONITOR OUT terminal rotates.

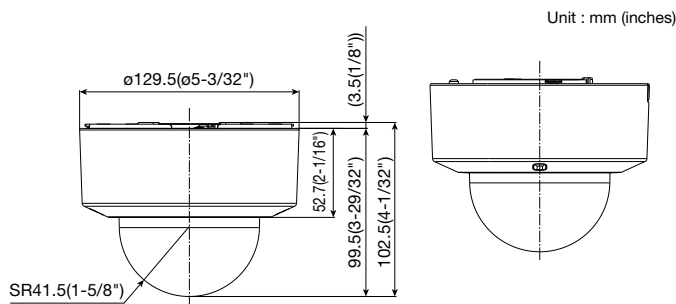
*4 H.265/H.264 can be selected for each stream.

*5 Transmission for 4 streams can be individually set.

*6 When recording audio on an SD memory card, only use AAC-LC (Advanced Audio Coding - Low Complexity).

*7 This camera is not equipped with the function to change the audio output to the monitor output.

Appearance



Trademarks and registered trademarks

- iPad and iPhone are trademarks of Apple Inc., registered in the U.S. and other countries.
- Android is a trademark of Google LLC.
- ONVIF and the ONVIF logo are trademarks or registered trademarks of Onvif Inc.
- All other trademarks identified herein are the property of their respective owners.

Important

- Safety Precaution : Carefully read the Important Information, Installation Guide and operating instructions before using this product.
- Panasonic cannot be responsible for the performance of the network and/or other manufacturers' products used on the network.

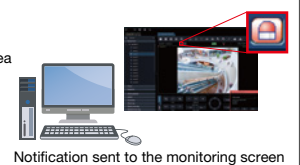
DISTRIBUTED BY :

Bundled License

Plug-in Software for i-VMD

i-VMD is possible to detect objects in the specified area by advanced video analysis technology.

i-VMD : Intruder Detection, Loitering Detection, Direction Detection, Scene Change Detection, Object Detection, Cross Line Detection



Optional Accessories

Mount Bracket / Dome Cover

Ceiling Mount Bracket WV-Q105A 	Ceiling Mount Bracket (Embedded) WV-Q174B 	Dome Cover (Smoke Type) WV-CR1S
---	--	--

- Masses and dimensions are approximate.
- Specifications are subject to change without notice.

DISTRIBUTED BY :

Panasonic

<https://security.panasonic.com>

<https://www.facebook.com/Panasonicnetworkcamera/>

(2A-226BA)